

Housing screw connection - SACC-M12 PLUG PRESS - 1437892

Please be informed that the data shown in this PDF Document is generated from our Online Catalog. Please find the complete data in the user's documentation. Our General Terms of Use for Downloads are valid (<http://phoenixcontact.com/download>)




M12 pin, housing screw connection, press-in version, for all Speedcon-compatible THR and wave soldering contact carriers

Your advantages

- ✓ Easy device integration, thanks to mechanical port screw connections with press-in contour
- ✓ Flexible PCB assembly: two-piece connectors for wave and THR soldering



Key Commercial Data

Packing unit	1 pc
Minimum order quantity	10 pc
GTIN	 4 046356 457569
GTIN	4046356457569
Weight per Piece (excluding packing)	10.000 g
Custom tariff number	74153300
Country of origin	Germany

Technical data

Ambient conditions

Ambient temperature (operation)	-25 °C ... 105 °C (Plug / socket)
	-40 °C ... 105 °C (without mechanical actuation)
	-25 °C ... 105 °C (Plug / socket)
Degree of protection	IP67 (correctly plugged in and locked)

General

Mounting type	M12 x 1
---------------	---------

Housing screw connection - SACC-M12 PLUG PRESS - 1437892

Technical data

General

Thread type	M12 x 1
-------------	---------

Material

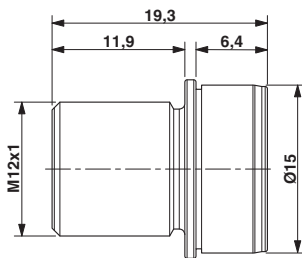
Material	CuZn (nickel-plated)
----------	----------------------

Environmental Product Compliance

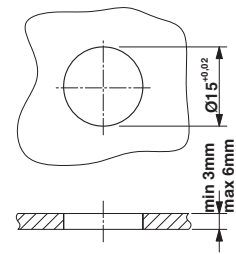
REACH SVHC	Lead 7439-92-1
China RoHS	Environmentally Friendly Use Period = 50 years
	For details about hazardous substances go to tab "Downloads", Category "Manufacturer's declaration"

Drawings

Dimensional drawing

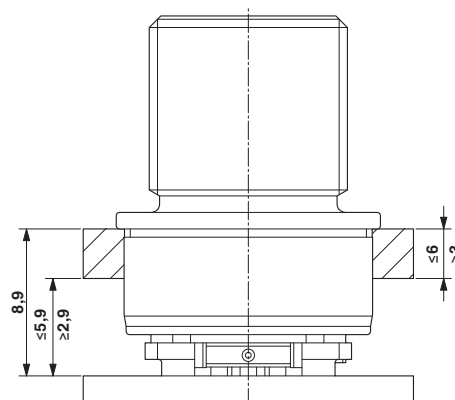


Dimensional drawing



Housing bore holes

Dimensional drawing



Housing screw connection - SACC-M12 PLUG PRESS - 1437892

Classifications

eCl@ss

eCl@ss 10.0.1	27440102
eCl@ss 11.0	27440102
eCl@ss 4.0	27140800
eCl@ss 4.1	27140800
eCl@ss 5.0	27143400
eCl@ss 5.1	27143400
eCl@ss 6.0	27279200
eCl@ss 7.0	27440103
eCl@ss 9.0	27440102

ETIM

ETIM 3.0	EC002061
ETIM 4.0	EC002061
ETIM 6.0	EC002061

UNSPSC

UNSPSC 6.01	31251501
UNSPSC 7.0901	31251501
UNSPSC 11	31251501
UNSPSC 12.01	31251501
UNSPSC 13.2	39121413
UNSPSC 18.0	39121413
UNSPSC 19.0	39121413
UNSPSC 20.0	39121413
UNSPSC 21.0	39121413

Approvals

Approvals

Approvals

EAC

Ex Approvals

Approval details

Housing screw connection - SACC-M12 PLUG PRESS - 1437892

Approvals

EAC



B.01687